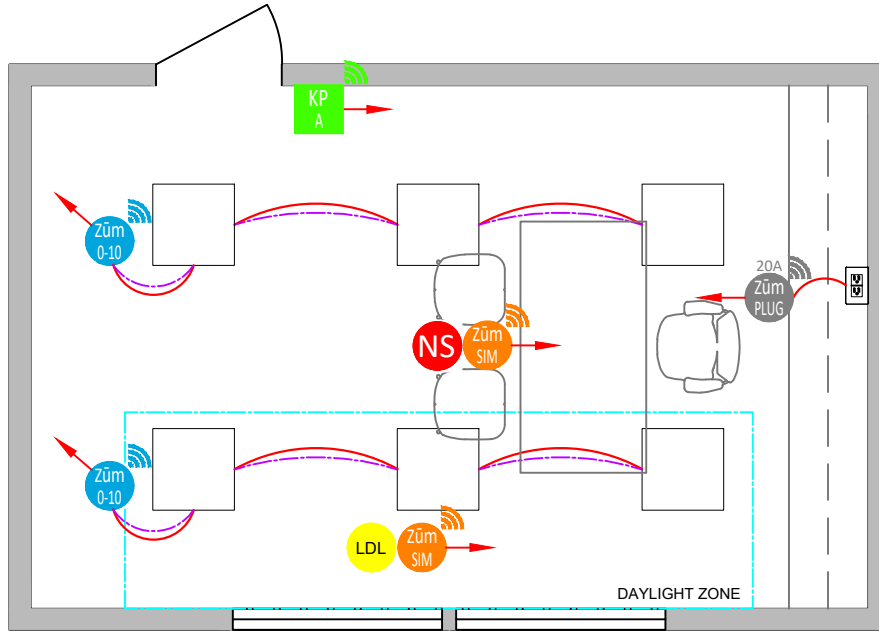


TYPICAL PRIVATE OFFICE - 0-10V DIMMING



SEQUENCE OF OPERATION:

- LIGHTING SHALL BE CONTROLLED WITH DUAL-TECH CEILING MOUNTED VACANCY SENSOR(S).
- LIGHTING ZONE(S) TO BE CONTROLLED WITH DIMMING POWER-PACK(S).
- SPACE SHALL BE PROVIDED WITH LOW-VOLTAGE OVERRIDE SWITCH FOR ON/OFF/DIM CONTROL.
- DAYLIGHT SENSOR(S) AND DIMMING SHALL BE USED IN SIDELIGHTED AREAS WITH MORE THAN 150W OF LIGHTING, PER IECC.
- DAYLIGHT SENSOR(S) AND DIMMING SHALL BE USED IN PRIMARY SIDELIGHTED AREAS WITH MORE THAN 150W LIGHTING OR PRIMARY AND SECONDARY SIDELIGHTED AREAS WITH MORE THAN 300W OF LIGHTING, PER ASHRAE.

ADDITIONAL OPTIONS:

- MODEL "nPP16D PA" FOR DEFAULT AUTO-ON TO 50%
- ROOM CAN BE CONNECTED TO nLIGHT BACKBONE TO ENABLE NETWORK CONTROL INCLUDING TIME BASED CONTROLS AND INTEGRATION WITH BUILDING MANAGEMENT SYSTEMS
- FOR EMERGENCY LIGHTING CONTROL ADD AN "NPP16 D ER" POWER-PACK

DIAGRAM LEGEND	
	LINE VOLTAGE WIRES
	0-10VDC WIRES
	LINE FEED

BILL OF MATERIAL		
QTY	SYMBOL	DESCRIPTION
1		GLA-LDL-PC-0-10 DUAL PHOTOSENSOR FOR OPEN- AND CLOSED-LOOP
2		ZUMMESH-JBOX-SIM ZUM SENSOR INTEGRATION MODULE, AC LINE POWERED
1		GLS-ODT-C-NS DUAL-TECH OCCUPANCY SENSOR, 2000 SQ FT.
2		ZUMMESH-JBOX-5A-LV JBOX SWITCH WITH 0-10V DIMMING, 5A
1		ZUMMESH-JBOX-20A-PLUG JBOX PLUG LOAD CONTROL, 20A
1		ZUMMESH-KP10A 1-BUTTON, AC LINE POWERED KEYPAD

CODE REFERENCE		
CODE	APPLICABLE	NOTES
IECC 2015		
IECC 2018		
ASHRAE 2013		SWITCHED RECEPTACLES REQUIRED
ASHRAE 2016		SWITCHED RECEPTACLES REQUIRED